



“TRIATHLON” VIBRATORY CONVEYOR

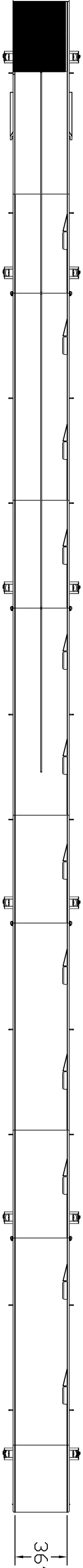


THREE SUPERIOR FEATURES:

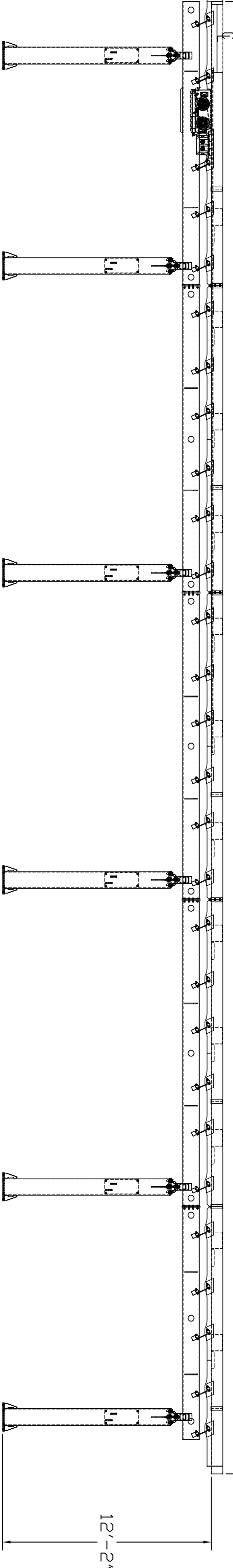
- **THE “LONGEST” VIBRATORY DISTANCE WITH A SINGLE DRIVE**
- **THE “FASTEST” VIBRATORY PRODUCT TRAVEL SPEEDS FOR THE HIGHEST CAPACITIES**
- **THE MOST “DURABLE” VIBRATORY DESIGN FOR THE HEAVIEST DUTY APPLICATIONS**

DESIGN CRITERIA:

- **UNIQUE CUSHIONED DRIVE SYSTEM FOR LOW TORQUE START UP**
- **WELL ISOLATED FRAME SYSTEM FOR MINIMAL STRUCTURAL VIBRATION**
- **PROVEN LONG-TERM RELIABILITY**



86'-4"



12'-2"