



# ROTARY PACK-OFF SYSTEMS



**USED TO ACCUMULATE PRODUCT FROM VERTICAL PACKAGING MACHINES**

**AVAILABLE IN:**

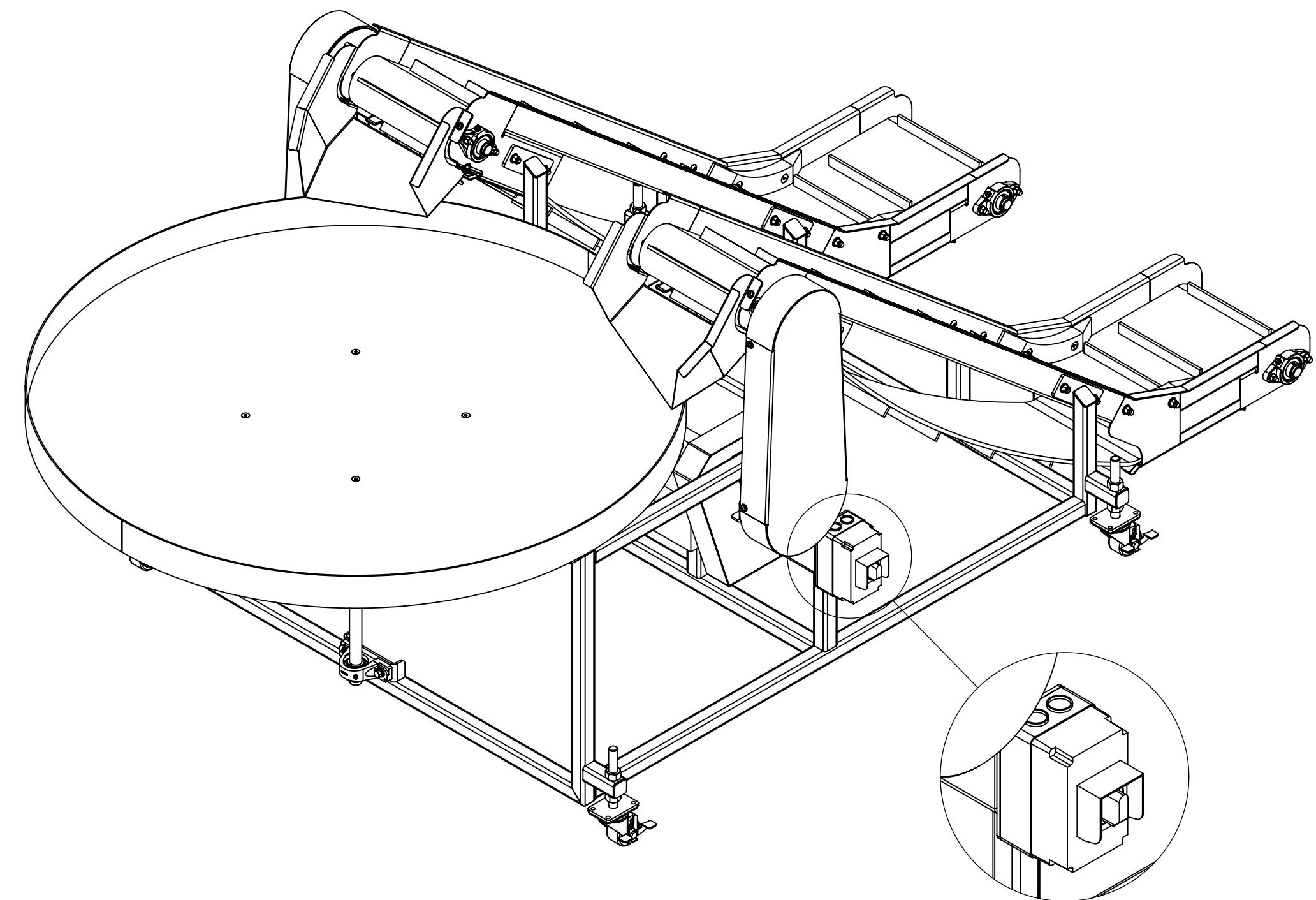
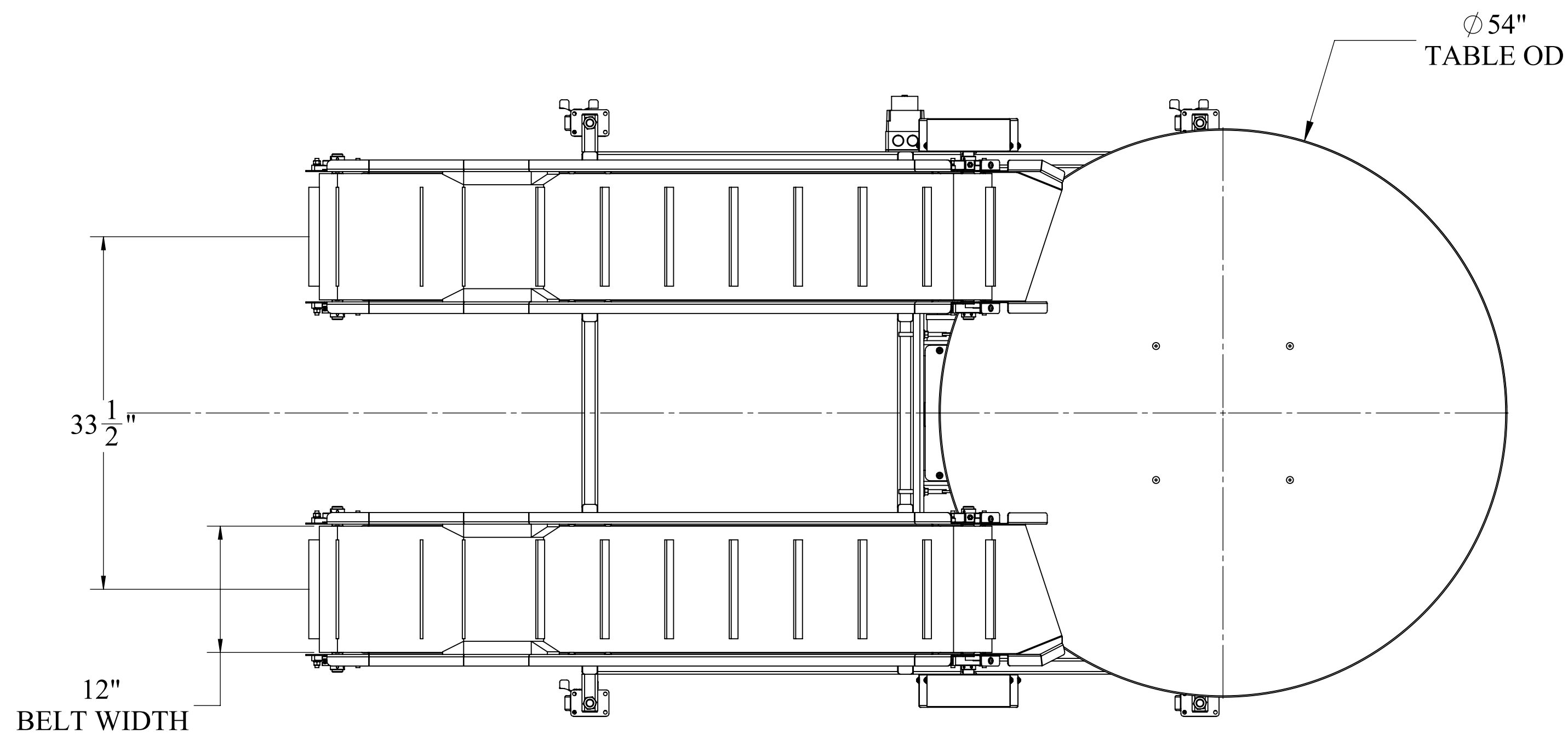
**36", 48", 54", AND 60' DIAMETER MODELS WITH SINGLE OR DUAL INCLINED INFEED BELTS**

**FEATURES:**

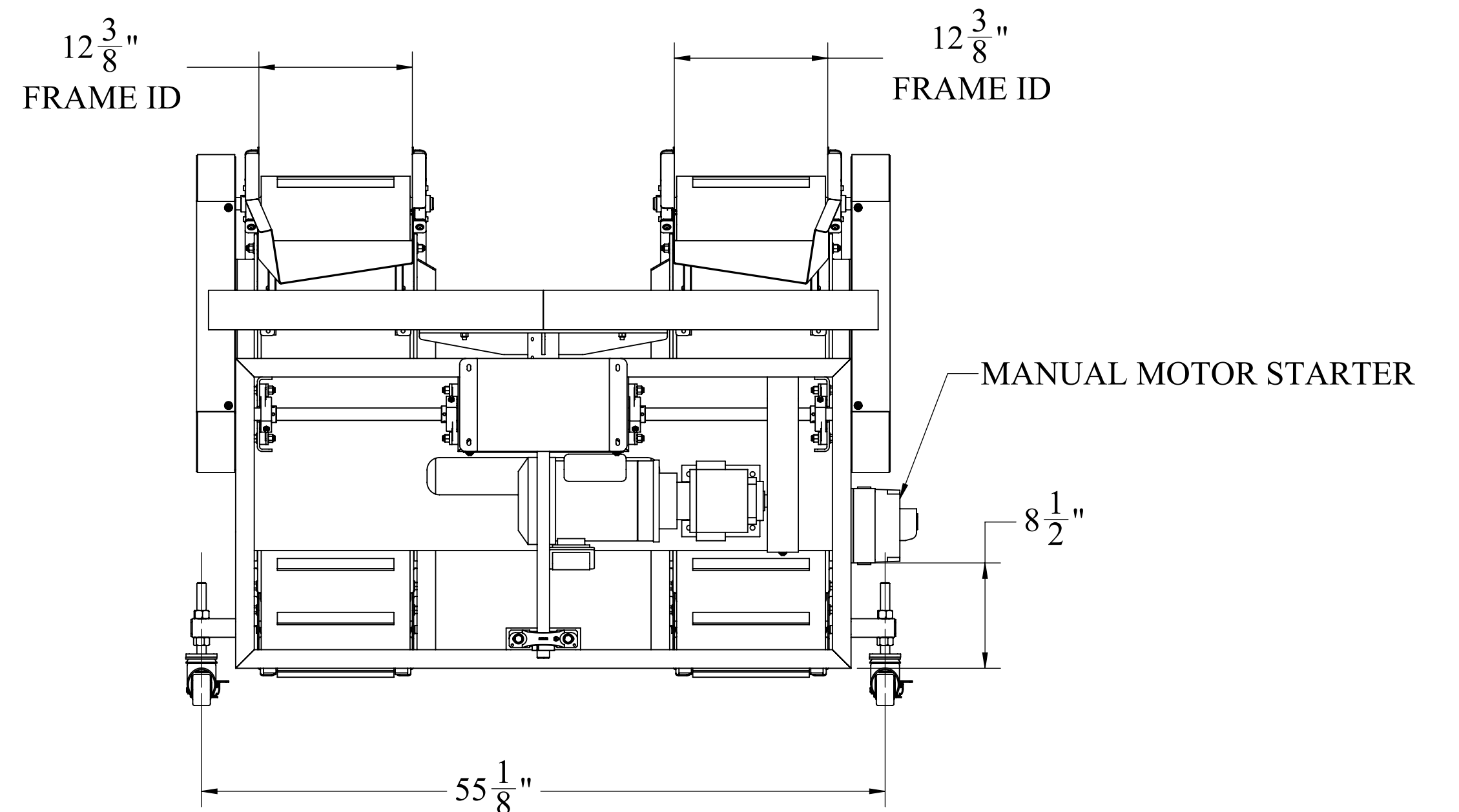
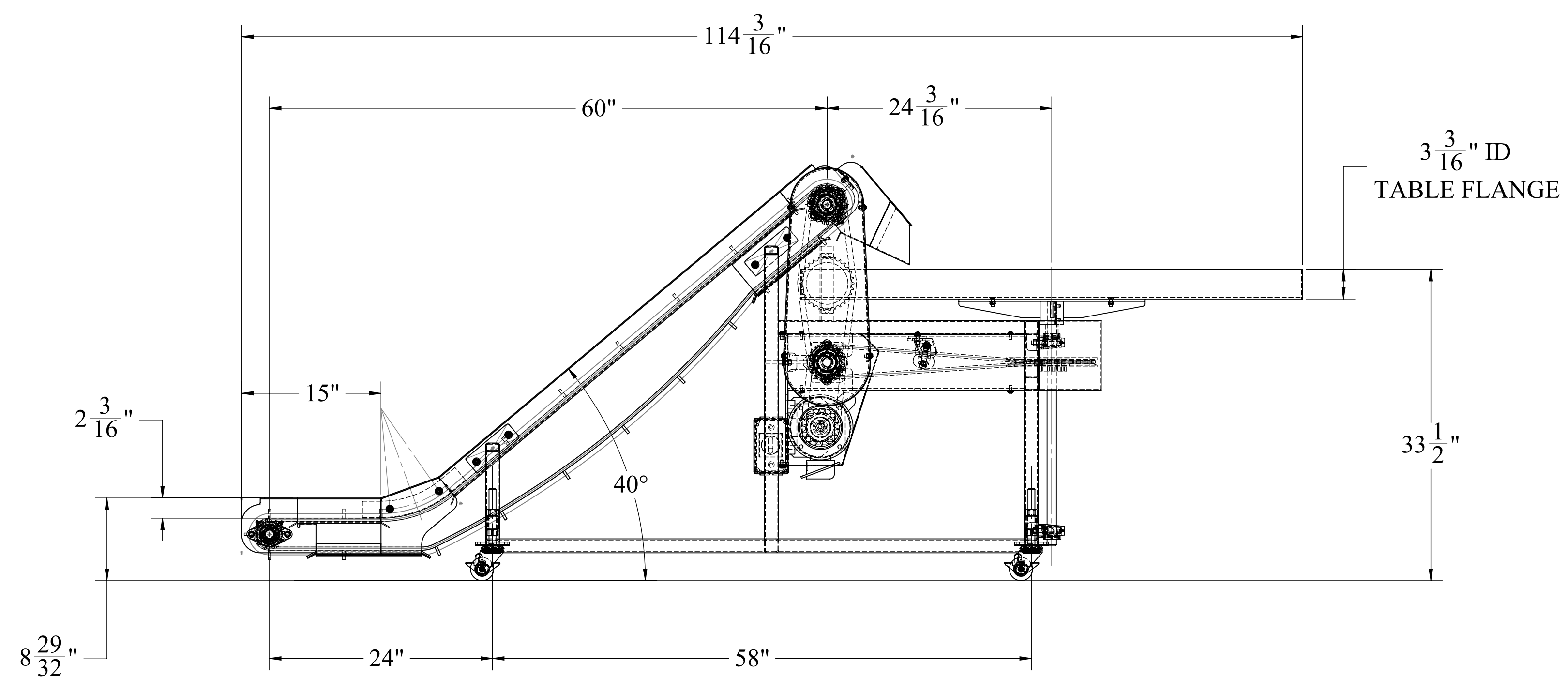
- **STAINLESS STEEL TABLE TOP WITH PLASTIC FLIGHTED INCLINE**
- **FDA APPROVED COATING ON ALL NON-STAINLESS STEEL FRAME SURFACES.**
- **HEIGHT ADJUSTABLE FOR FLOOR MOUNTS**
- **COMPLETELY WIRED WITH EASY ACCESSIBLE ON/OFF SWITCH.**
- **EASY ACCESS TO ALL MOVING PARTS FOR VISUAL INSPECTION AND MAINTENANCE.**

**OPTIONAL:**

- **STAINLESS STEEL FRAME CONSTRUCTION**
- **LOCKABLE CASTERS FOR EASY PORTABILITY**
- **WASH DOWN POWER CONTROL AND DRIVE**
- **VARIABLE SPEED CONTROLS**



MANUAL MOTOR STARTER



**PROPRIETARY AND CONFIDENTIAL**  
 THE INFORMATION CONTAINED IN THIS  
 DRAWING IS THE SOLE PROPERTY OF  
 LAYTON MANUFACTURING ANY  
 REPRODUCTION IN PART OR AS A WHOLE  
 WITHOUT THE WRITTEN PERMISSION OF  
 LAYTON MANUFACTURING IS PROHIBITED.

REVISION TABLE									
LAYTON ORDER NUMBER: 268273					 WELLIVER METALS - AB MCLAUCHLIN				
672 MURLARK AVE NW SALEM, OREGON 97304 PHONE: 503-585-4888 FAX: 503-585-3374									
DATE	NAME	INITIALS	TITLE						
DRAWN: 10/5/2011	KHANHNGUYEN		DUAL BELT WITH PACK-OFF TABLE GENERAL ASSEMBLY						
CHECKED: ***	CV								
APPROVED: ***	GARY GRETZINGER								
DEFAULT TOLERANCE									
DECIMAL XX.X ± 0.1	FRACTIONAL ± 1/32	SIZE	SCALE:	DRAWING No.:	REV	SHEET			
XX.XX ± 0.01	FORMED ANGLES ± 0.5°	D	1:10	268273-100	1	3			
XX.XXX ± 0.009	SURFACE FINISH -					3			